

FIG.201

 **STOP VALVE zGLO**



Body material	Nominal pressure	Nominal diameter	Max. temperature
A Grey cast iron	C 16 bar	DN 15-50	200°C



correspond to the pressure equipment directive 2014/68/UE marking CE for DN≥32

FEATURES

- high tightness (leakproofness class - A acc. to EN -12266 - 1)
- compact settlement
- environment-friendly
- tests acc.to EN - 12266 - 1

APPLICATION

industries



INDUSTRY



HEATING

media



INDUSTRIAL WATER



STEAM



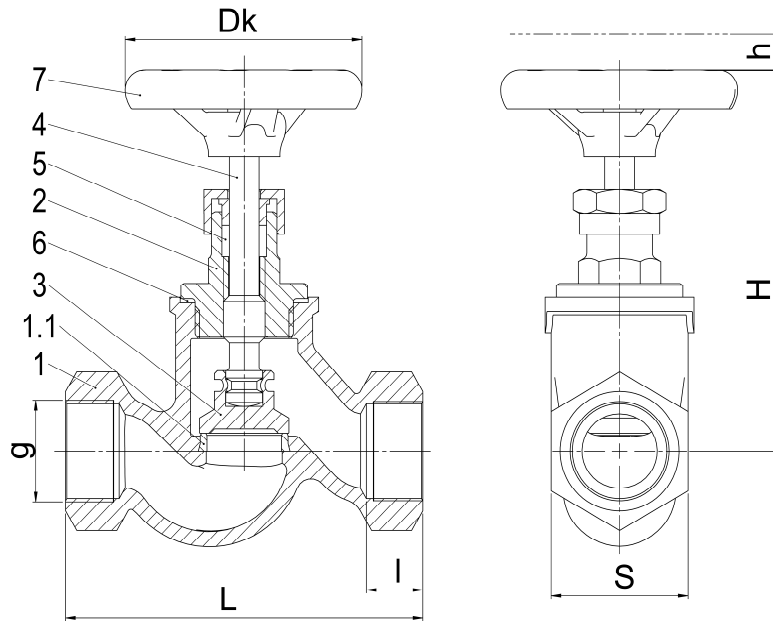
COMPRESSED AIR



NEUTRAL FLUIDS

FIG.201

MATERIALS, DIMENSIONS



Body material	A	
Type	00	
1 Body	EN – GJL-250 5.1301 (ex. JL1040)	
1.1 Seat ring	X12Cr13 1.4021	
2 Bonnet	EN – GJL-250 5.1301 (ex. JL1040)	
3 Disc	X20Cr13+QT 1.4021	
4 Stem	X20Cr13 1.4021	
5 Packing gland	Graphit	
6 Gasket	Carbamide - rubber	
7 Hand-wheel	EN – GJL-250 5.1301 (ex. JL1040)	
Max. temperature	200°C	

DN	10	15	20	25	32	40	50
L (mm)	85	90	100	120	140	170	200
Dk (mm)	64	64	64	80	80	100	100
H ((mm)	105	109	109	129	152	167	178
h (mm)	7	9	9	9	13	18	20
g	G 3/8	G 1/2	G 3/4	G 1	G 1 1/4	G 1 1/2	G 2
l (mm)	12	14	16	18	20	22	24
S (mm)	30	32	41	46	55	60	75
k _{vs} (m ³ /h)	2,4	4,5	6,1	10,1	17,9	25,4	40,5
Weight (kg)	0,7	0,9	1,0	1,45	2,1	3,0	4,3

Data given can be changed without notice.

Edition 01/2018

PRESSURE-TEMPERATURE RATINGS

Acc. EN 1092-2	PN		-10°C÷120°C	150°C	200°C
EN-GJL250	16	bar	16	14,4	12,8

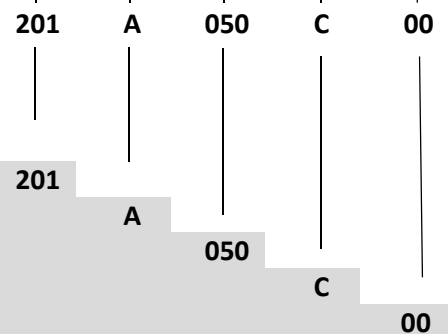
TYPE

Figure	Body material	Nominal diameter	Nominal pressure	Type
201	A Grey cast iron EN-GJL-250	15-50 mm	C 16 bar	00 stem and disc connection - fixed – rolled; stem, disc and seat ring - stainless steel
		15-50 mm	C 16 bar	08 stem and disc connection - fixed – rolled; stem, disc and seat ring - stainless steel disc gasket PTFE

ORDERING

Figure	Body material	Nominal diameter	Nominal pressure	Type
201	A Grey cast iron EN-GJL-250	15-50 mm	C 16 bar	00 stem and disc connection - fixed – rolled; stem, disc and seat ring - stainless steel

Order example acc. index



Stop valve, ends threaded, form straight
 Grey cast iron EN-GJL-250
 Nominal diameter (mm)
 Nominal pressure PN 16
 Stem and disc connection - fixed – rolled; stem, disc and seat ring - stainless steel